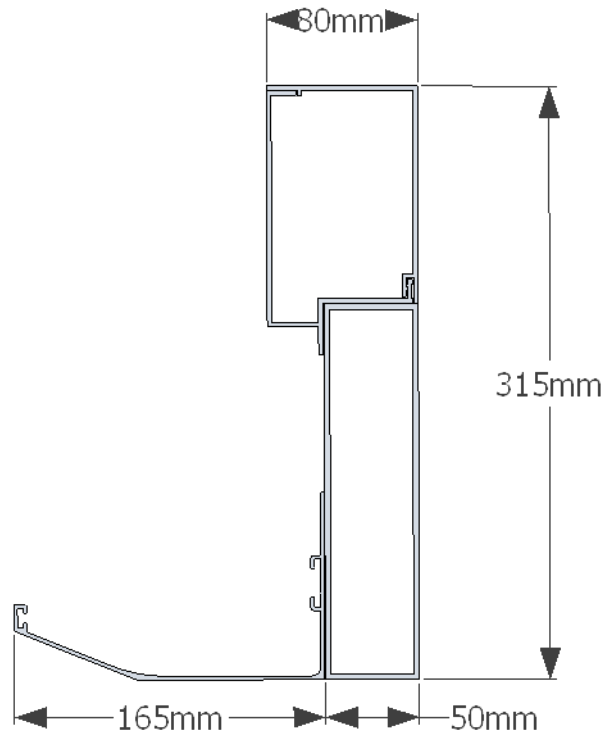
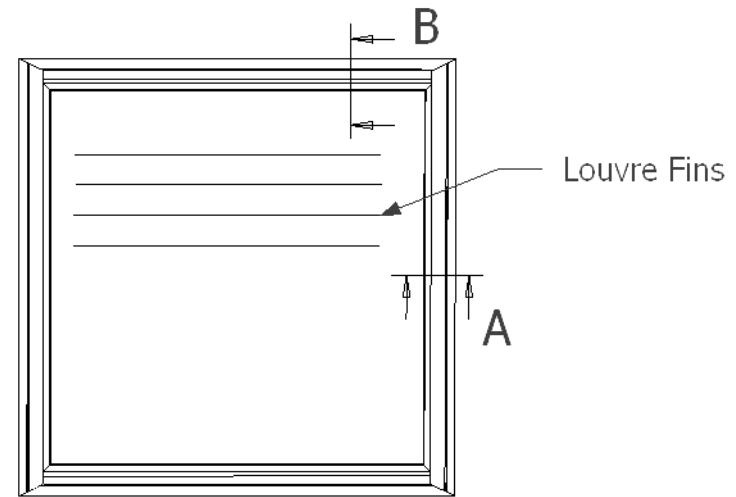


Section B



Plan View



Concertina Louvre

Concertina Louvre  
Section B-B