



markilux pergola options

Square. Practical. Chic.

The new markilux pergola options



Square posts

if you required clear, angular shapes, the posts of the pergola can on request be supplied with square cross sections

Stabilisation box

independent of the post shape, the new pergola stabilisation boxes permit even more flexible use without the need for concrete foundation constructions

Base cover

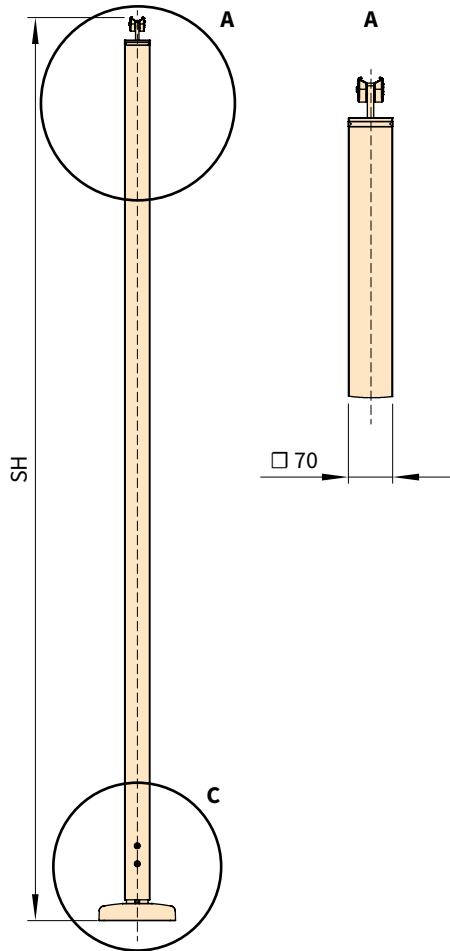
the new covers made of aluminium provide an even more harmonious appearance for the post bases of the markilux pergola.

Planning permission

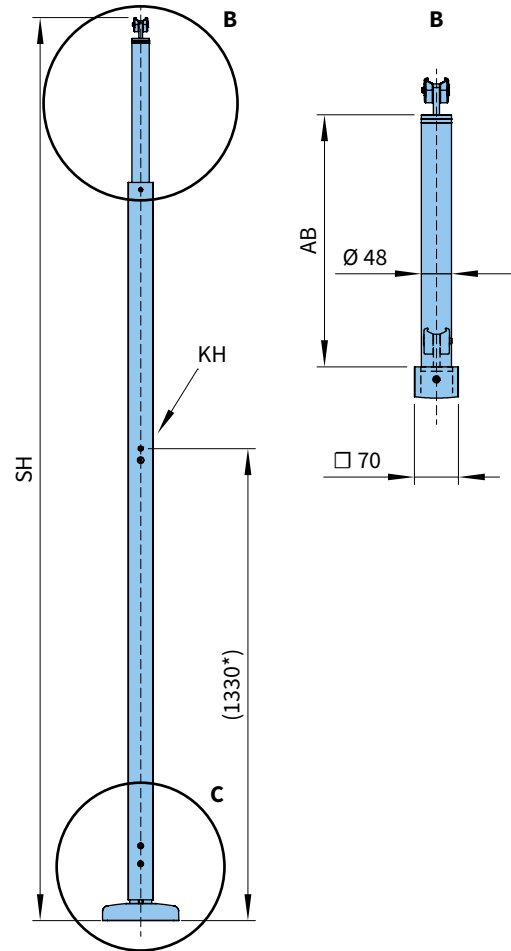
Caution: Please observe that shade systems may be subject to compulsory planning permission regulations depending on the region.

markilux pergola 110 / 210 with square posts

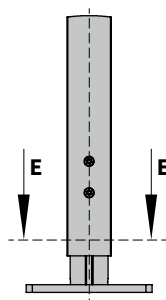
markilux pergola 110



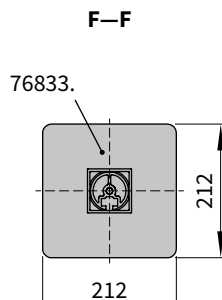
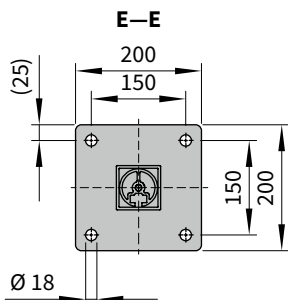
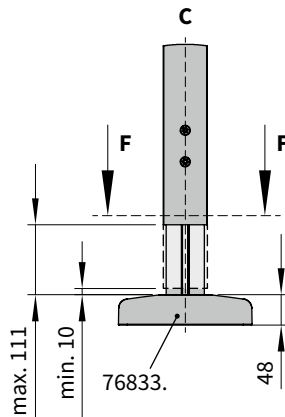
markilux pergola 210



Lower post end **without** base cover



Lower post end **with** base cover



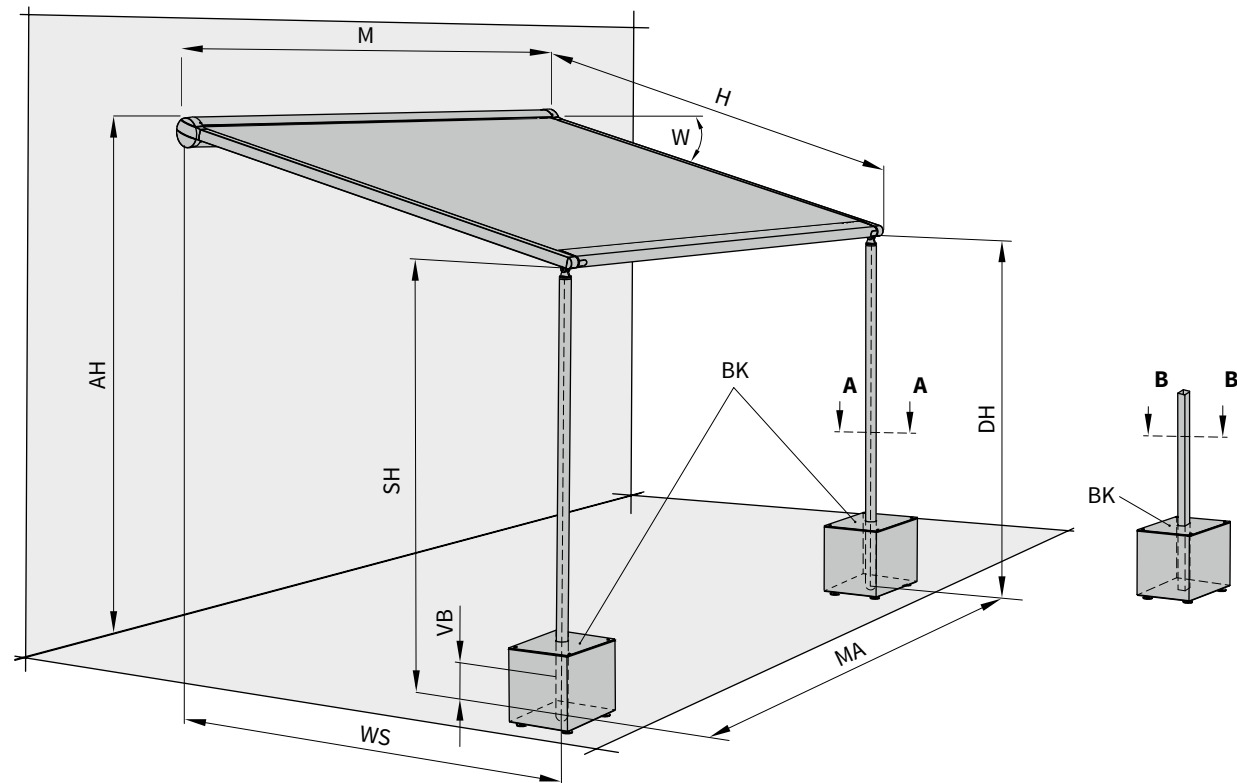
- * = Dimensions at the standard height
- UW = Lowering range of a post: 200, 300 or 400 mm; depending on the size of the pergola 210 crank adapter
- Support post height:
- KH = Standard height = 2500 mm,
- SH = Bespoke heights on request

Minimum height of posts:
600 mm

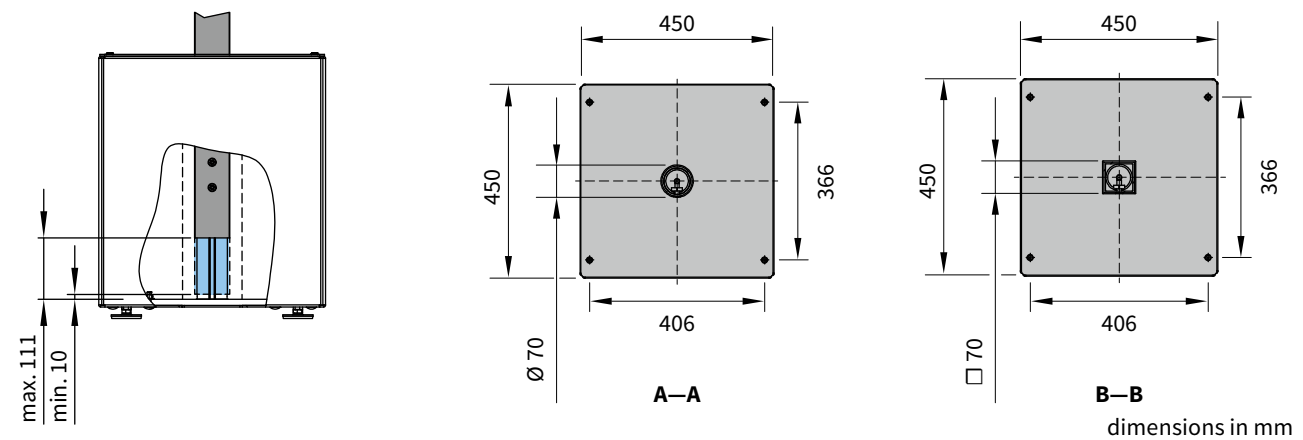
Minimum height of **adjustable** post (markilux pergola 210):
1570mm (with foot plate),
1980mm (with stabilisation box)

dimensions in mm

01 Overall view markilux pergola with stabilisation boxes



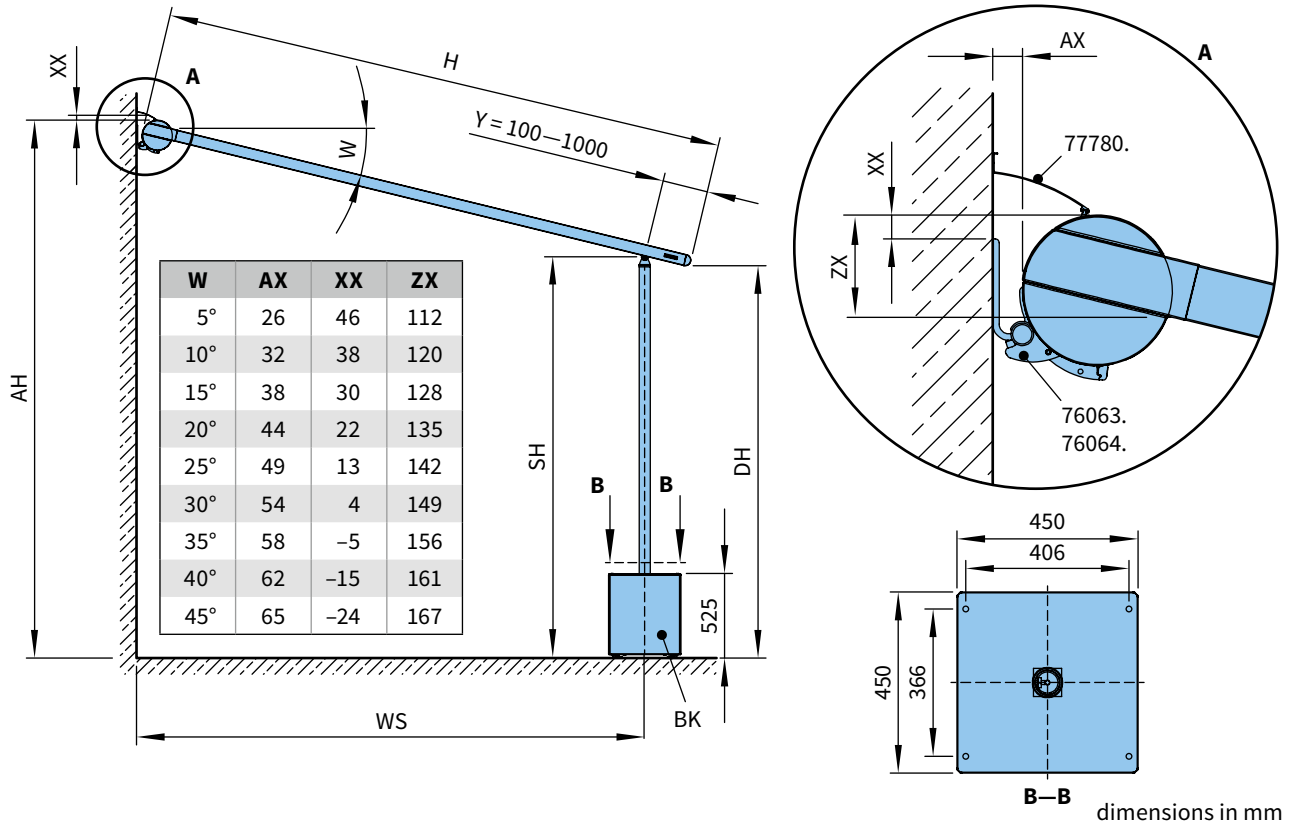
Height alignment within the stabilisation boxes up to approx. 100 mm



CAUTION! Each of the stabilisation boxes is to be filled on site with at least 100 kg of gravel sand.

- A-A = sectional drawing / Top view A
- AH = fixture height
- B-B = sectional drawing / Top view B
- BK = stabilisation box
- DH = headroom
- H = projection
- M = overall awning width
- MA = awning fixture width
- SH = post height (post height: standard height = 2500 mm; special heights on request)
- VB = height adjustment 10 cm
- W = pitch
- WS = distance from wall to support post centre

Dimension overview for markilux pergola with stabilisation boxes



- 76063. = face fixture cassette bracket, left
- 76064. = face fixture cassette bracket, right
- 77780. = wall sealing profile (optional; up to a maximum awning pitch of 15°)
- A = detailed drawing A
- AH = fixture height
- AX = calculation value for the distance wall to support post centre WS (see table)
- BK = stabilisation box
- DH = headroom
- H = projection
- SH = post height (post height: standard height = 2500 mm; special heights on request)
- W = pitch
- WS = distance from wall to support post centre
- XX = distance from the top edge of the fixture bracket - Upper edge cassette
- Y = dimension by which the front post can be moved back; min. 100 to max. 1000 mm
- ZK = calculation value for installation height AH (see table)

Base cover for the markilux pergola posts

Even in the standard design of the markilux pergola 110 and the markilux pergola 210, the new covers made of aluminium on the post bases provide an even more harmonious appearance.

